



## MP 49

# Stainless Steel Shear Beam Load Cell



### 500kg... 5t Type N/C3

- Full stainless steel construction
- Compatible with other sources
- Hermetically welded seal (IP 67)
- Approved according to OIML R60

### Applications

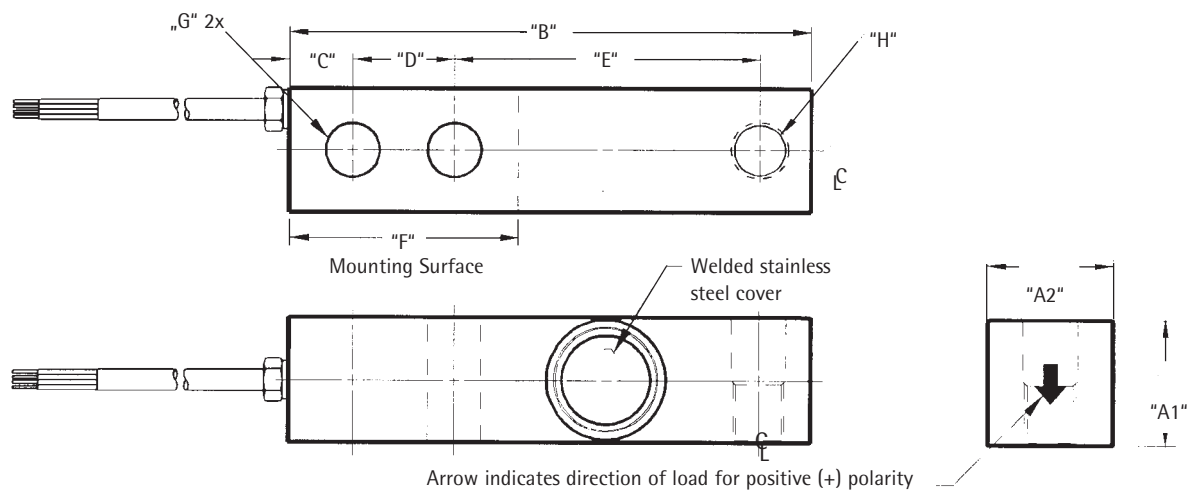
- Platform scales
- Tank & Hopper scales

Technical Data		N	C3	
Accuracy class		0.03	0.025	%
Minimum dead load	$E_{min}$	2	2	% $E_{max}$
Rated capacity	$E_{max}$	s. table	s. table	
Safe overload	$E_U$	150	150	% $E_{max}$
Destructive load	$E_d$	> 300	> 300	% $E_{max}$
Minimum LC verification interval $v_{min} = E_{max}/Y$		-	8,333	
Rated output	$C_n$	2	2	mV/V
Tolerance on rated output	$d_c$	$\leq 0.25$	$\leq 0.25$	% $C_n$
Zero output signal	$S_{min}$	$\leq 1$	$\leq 1$	% $C_n$
Repeatability	$\epsilon_R$	$\leq 0.012$	$\leq 0.012$	% $C_n$
Creep, during 30min.	$d_{cr}$	$\leq 0.03$	$\leq 0.017$	% $C_n$
Temperature effect on $S_{min}$	$TK_{S_{min}}$	$\leq 0.028$	$\leq 0.017$	% $C_n/10K$
Temperature effect on C	$TK_c$	$\leq 0.014$	$\leq 0.011$	% $C_n/10K$
Input impedance	$R_{LC}$	$350 \pm 7$	$350 \pm 7$	$\Omega$
Output impedance	$R_o$	$352 \pm 3$	$352 \pm 3$	$\Omega$
Insulation impedance	$R_{IS}$	> 2,000	> 2,000	M $\Omega$
Recommended supply voltage	$B_u$	10	10	V
Maximum supply voltage	$U_{max}$	15	15	V

Technical Data		N	C3	
Nominal ambient temperature range	B <sub>T</sub>	-10 to +40	-10 to +40	° C
Usable ambient temperature range	B <sub>TU</sub>	-20 to +65	-20 to +65	° C
Nominal deflection	s <sub>nom</sub>	≤ 0.7 (to 2t), ≤ 1,4 (3t, 5t)	≤ 0.7 (to 2t), ≤ 1,4 (3t, 5t)	mm
Cable	-	6m, 4 wires with screen	6m, 4 wires with screen	
Protection class	-	IP 67	IP 67	

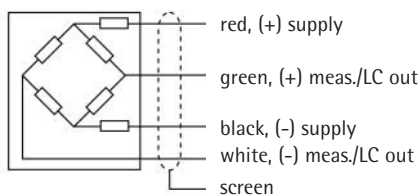
The technical data given here serve only as a product description and must not be interpreted as guaranteed characteristics in the legal sense.

- Temperature effect on sensitivity and combined error (accuracy class) are combined in such a way that the load cells meet the tolerance envelope of the OIML recommendations R60.
- When selecting load cells for a particular environment, the IP rating should only be used as a guide. Care should be given to the design of the weighing product to protect the load cell.
- The correct mounting of the load cell is essential to obtain optimum performance.



Dimensions all in mm

Capacity	F	E	D	C	B	A1	A2	Ø G	Ø H	H	Weight
500kg... 2t	57.1	76.2	25.4	16	130	31	31	13.0	13.0	M12 x 1.75	1.8kg
3t, 5t	76.2	95.2	38.1	19	171.4	37.8	37.8	20.6	20.6	M20 x 2.5	2.9kg



### Order information

Type	Order number	Type	Order number	Max. capacity (2mV/V)
MP49/52 N	9408 800 49521	MP49/52 C3	9408 800 49527	500kg
MP49/13 N	9408 800 49131	MP49/13 C3	9408 800 49137	1000kg
MP49/23 N	9408 800 49231	MP49/23 C3	9408 800 49337	2000kg
MP49/33 N	9408 800 49331	MP49/33 C3	9408 800 49527	3000kg
MP49/53 N	9408 800 49531	MP49/53 C3	9408 800 49537	5000kg

Specifications subject to change without notice.  
Printed in Germany.  
n/sart • C  
9498 708 49001  
Version 01.2005

Sartorius Hamburg GmbH  
Meiendorfer Straße 205  
22145 Hamburg, Germany  
Tel. +49.40.67960.303  
Fax +49.40.67960.383  
www.sartorius.com